

# NESS

## NBMU-2062 ADA



### TOILET INSTALLATION INSTRUCTIONS

#### THANK YOU FOR CHOOSING NELLA™

Welcome to the Nella™ family. We are confident Nella's™ superior quality, design and aesthetic will enhance your bathroom experience for many years to come. If you have any questions regarding your Nella products please contact your local sales representative or visit our website [www.nellabath.com](http://www.nellabath.com) for customer support and service information.

Thank you again,  
NELLA™

#### PRIOR TO INSTALLATION

Prior to installation please be sure to review all installation instructions with a licensed or qualified plumbing technician who is familiar with all local plumbing and building codes in your jurisdiction.

#### PRODUCT FEATURES AND DESCRIPTION

##### FEATURES

- Vitreous china
- Two-Piece contemporary design
- 2" fully glazed trapway
- 12" (305mm) rough-In
- Siphonic - Side Flush
- 1.28 GPF / 4.8L / HET
- ADA compliant seat height

##### INCLUDED COMPONENTS

- Seat w/lid (soft-close)
- Tank cover
- Flush actuator
- Wax ring
- Floor installation kit

##### CODES AND STANDARDS

Meets or exceeds:

- ASME A112.19.2 /CSA B45.1
- ASME A112.19.14
- ADA requirements of ICC/ANSI A117.1-2009  
Accessible and Usable Buildings and Facilities.



##### NOMINAL DIMENSIONS

710 x 370 x 765mm

(28" x 14-1/2" x 30-1/8")



#### IMPORTANT - PRIOR TO INSTALLATION

Before you begin please be sure to review the steps below to ensure preferred installation results.

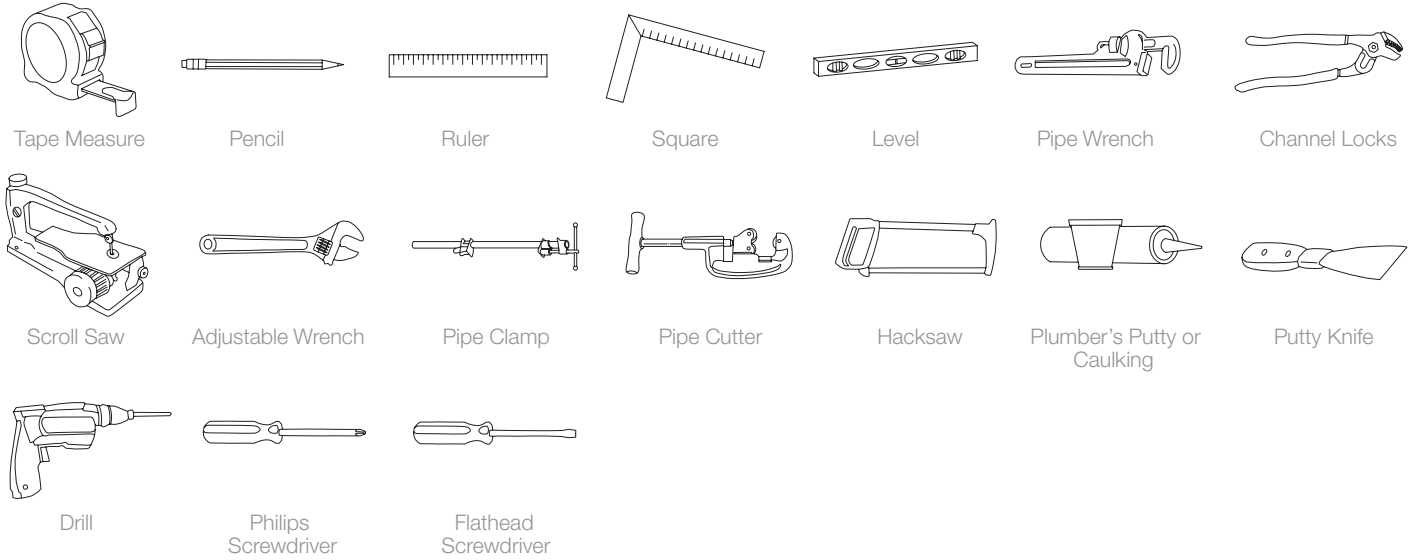
1. Unpack your new NELLA™ product and confirm it is the correct model ordered and inspect the product for damage. Please keep product in its original packaging until you are ready for installation.
2. Confirm that all walls are plumb and all mounting/installation surfaces are level.
3. Shut off existing water supply.
4. Confirm that your plumbing technician has the proper/recommended tools for proper installation.

# NESS

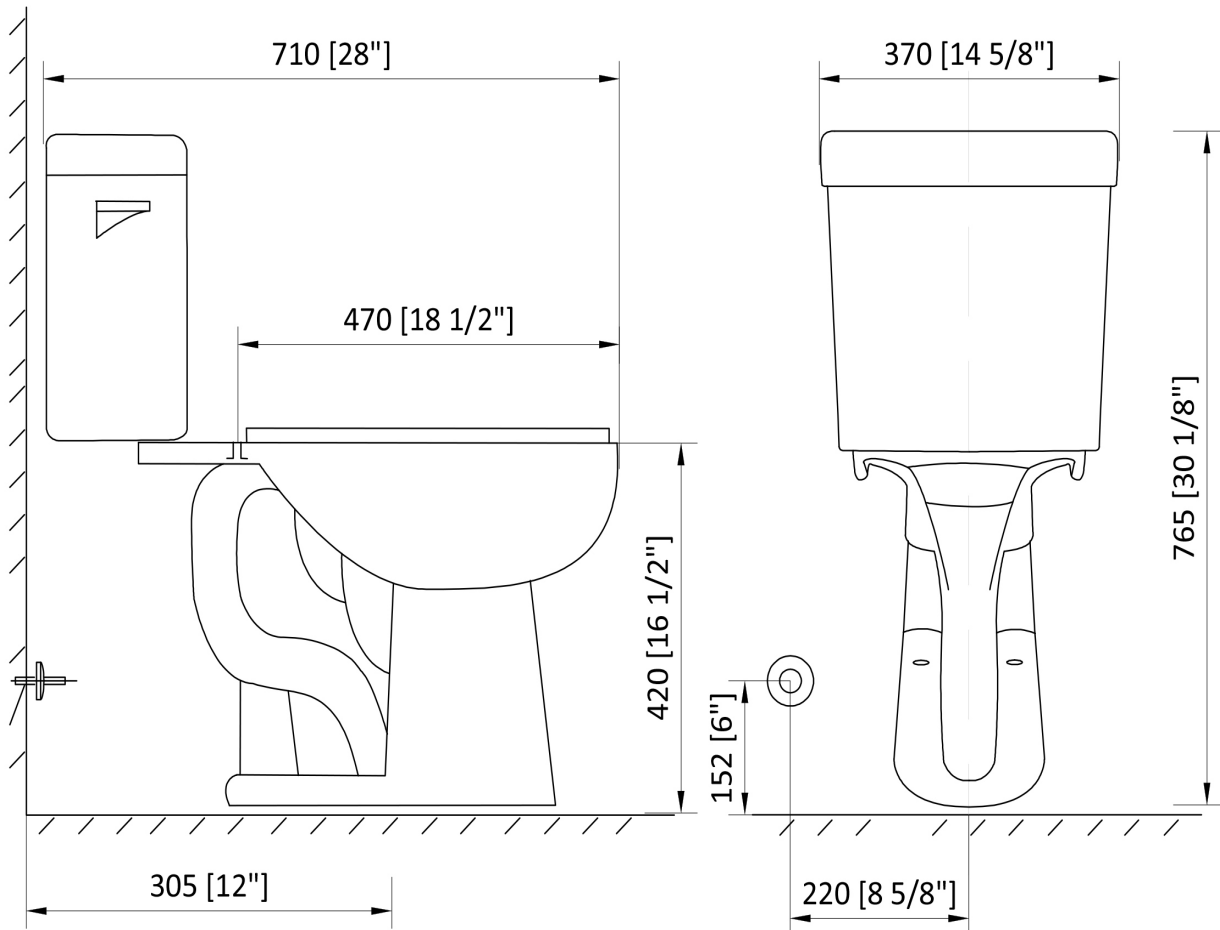
## NBMU-2062 ADA



### TOILET INSTALLATION INSTRUCTIONS



### ROUGH-IN DIMENSIONS

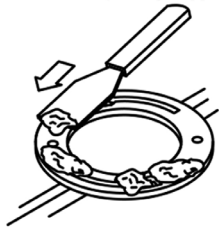


### CONCEALED MOUNT INSTALLATION INSTRUCTIONS

#### INSTALLATION INSTRUCTIONS

##### 1. Remove existing toilet and prepare installation surface.

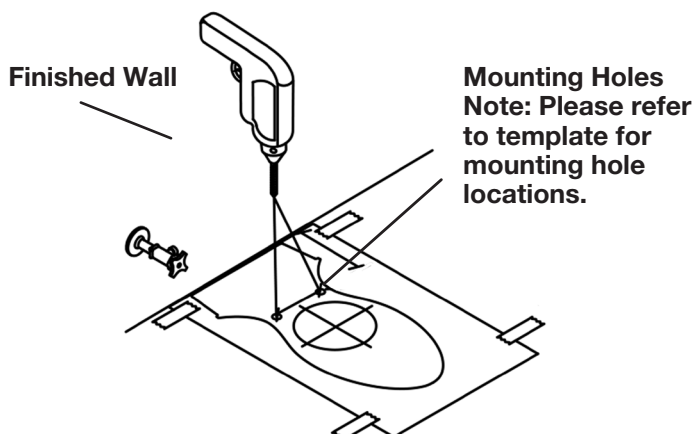
- Shut off toilet supply and flush tank completely.
- Disconnect and remove supply line.
- If replacing a toilet remove old toilet and existing wax ring. Cover/plug floor waste opening.
- Clean any old wax or debris from from installation area.



**\*\*NOTE:** Installation surface must be clean and level before new toilet is installed.\*\*

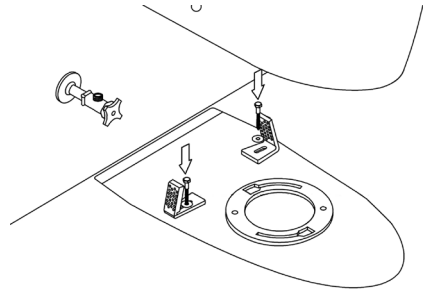
- Confirm that current supply location coincides with desired toilet location and rough-in dimensions. Supply relocation may be necessary for proper toilet installation.
- Position toilet template on finish floor making sure it aligns with current waste location; tape template securely to floor.

##### 2. Using toilet installation template mark floor screw/anchor location and drill pilot holes in floor.

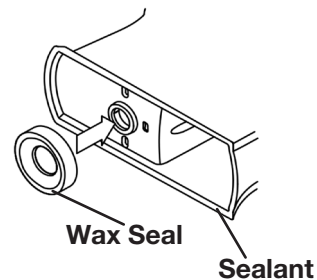


**\*\*NOTE:** For floors less than 1-1/2" (38 mm) thick use a 5/32" bit. For floor thicker than 1-1/2" (38 mm) use a 3/8" bit for anchor (required) installation.\*\*

##### 3. Insert screw through the plastic mounting brackets and install securely to floor in proper location.

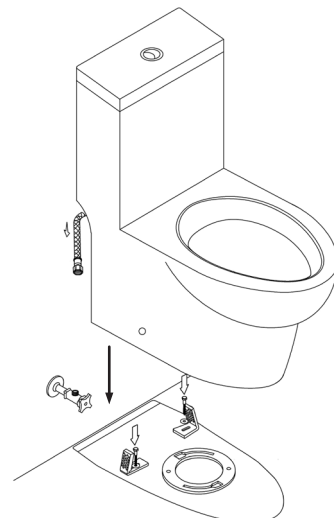


##### 4. Turn toilet on its side (please protect the ground surface with soft material to prevent damage to toilet), and press new wax seal firmly around waste flange. apply a small bead of silicone sealant around toilet base.



##### 5. Position toilet squarely with wall and align toilet with closet flange.

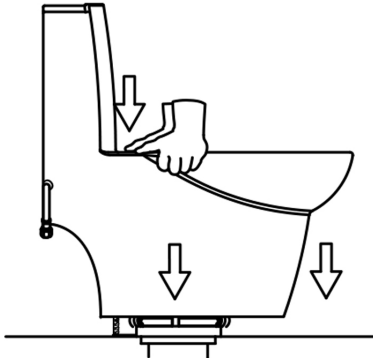
Slowly lower toilet down onto closet flange making sure base mounting holes are aligned with mounting anchors on finished floor.



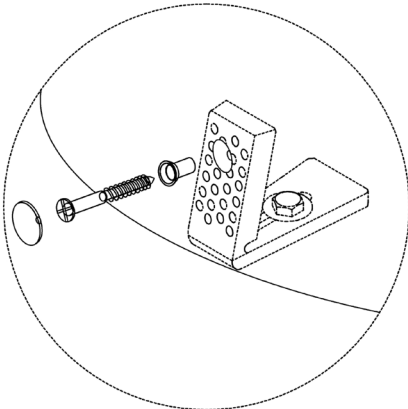
### CONCEALED MOUNT INSTALLATION INSTRUCTIONS

#### INSTALLATION INSTRUCTIONS

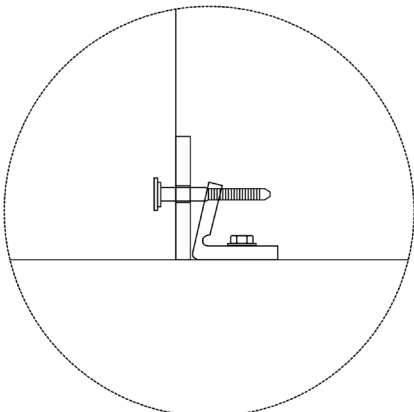
6. Press toilet down firmly on wax ring and flange until toilet is securely seated on floor.



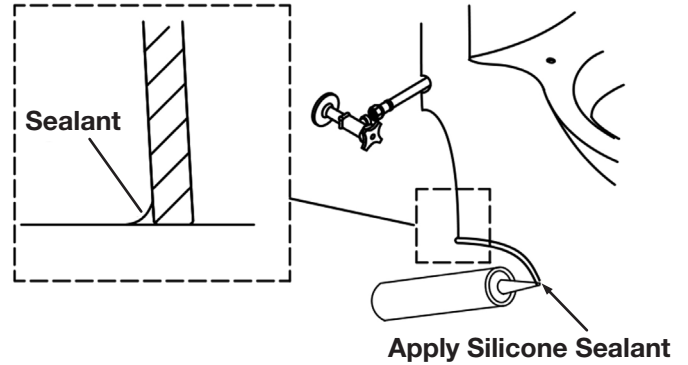
7. Adjust the plastic mounting brackets so they align with the mounting hole location on the toilet.



8. Tighten the toilet bowl mounting screws to the mounting brackets; place the finish caps on the heads.



- Apply a small bead of silicone sealant where toilet base meets finish floor.
- Wipe and clean any excess sealant immediately.



9. Connect water supply.

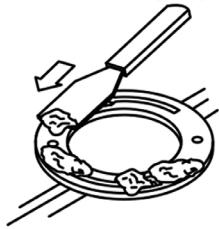
- Connect the shut-off valve to the supply pipe. Gradually open the valve and check for leaks.
- Flush several times to test for leaks and continue to do so periodically for the first few days of usage.

### EXPOSED MOUNT INSTALLATION INSTRUCTIONS

#### INSTALLATION INSTRUCTIONS

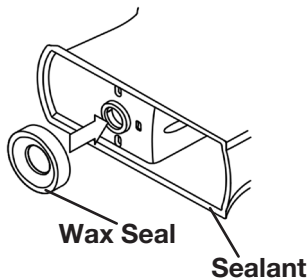
##### 1. Remove existing toilet and prepare installation surface.

- Shut off toilet supply and flush tank completely.
- Disconnect and remove supply line.
- If replacing a toilet remove old toilet and existing wax ring. Cover/plug floor waste opening.
- Clean any old wax or debris from from installation area.

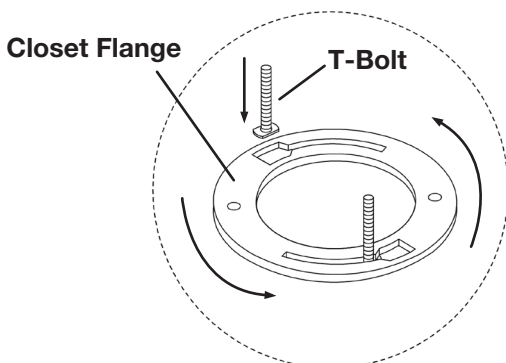


**\*\*NOTE:** Installation surface must be clean and level before new toilet is installed.\*\*

##### 2. Turn toilet on its side (please protect the ground surface with soft material to prevent damage to toilet), and press new wax seal firmly around waste flange. Apply a small bead of silicone sealant around toilet base.



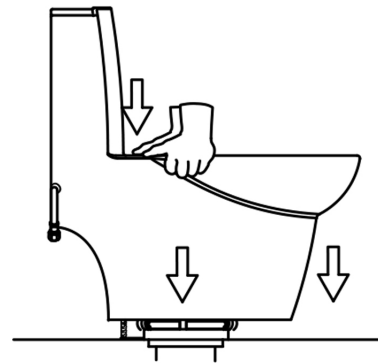
##### 3. Install T-bolts in correct floor position and fasten closet flange.



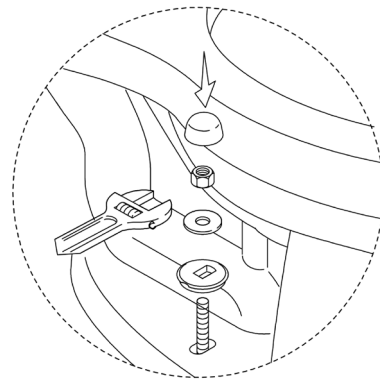
##### 4. Position toilet squarely with wall and align toilet with closet flange.

Slowly lower toilet down onto closet flange making sure base mounting holes are aligned with mounting anchors on finished floor.

Press toilet down firmly on wax ring and flange until toilet is securely seated on floor.



##### 5. Place the bolt cap bases on the T-bolts and proceed to secure the toilet into place by fastening the washers and nuts to the bolt caps and T-bolts.

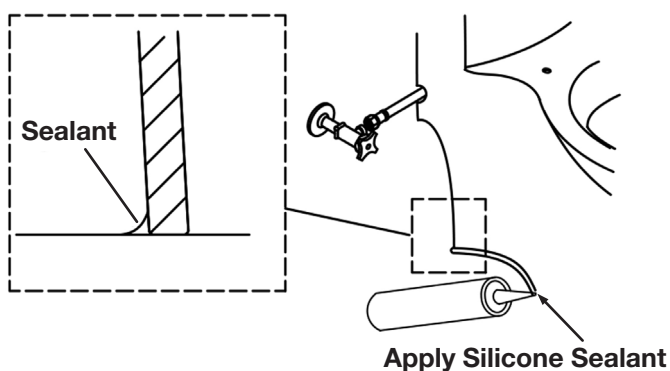


**\*\*NOTE:** Do not overtighten nuts. Porcelain is fragile and could possibly crack if nuts are overtightened.\*\*

## EXPOSED MOUNT INSTALLATION INSTRUCTIONS

**6. Apply a small bead of silicone sealant where toilet base meets finish floor.**

**Wipe and clean any excess sealant immediately.**



**7. Connect water supply.**

- Connect the shut-off valve to the supply pipe. Gradually open the valve and check for leaks.
- Flush several times to test for leaks and continue to do so periodically for the first few days of usage.

# NESS

## NBMU-2062 ADA

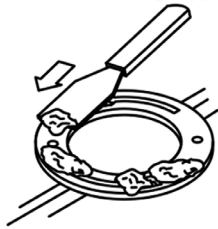


### CONCEALED MOUNT WITH SIDE ACCESS INSTALLATION INSTRUCTIONS

#### INSTALLATION INSTRUCTIONS

##### 1. Remove existing toilet and prepare installation surface.

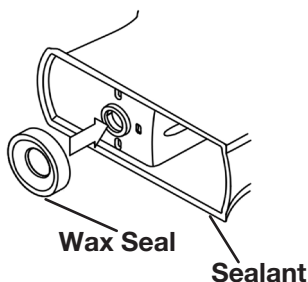
- Shut off toilet supply and flush tank completely.
- Disconnect and remove supply line.
- If replacing a toilet remove old toilet and existing wax ring. Cover/plug floor waste opening.
- Clean any old wax or debris from from installation area.



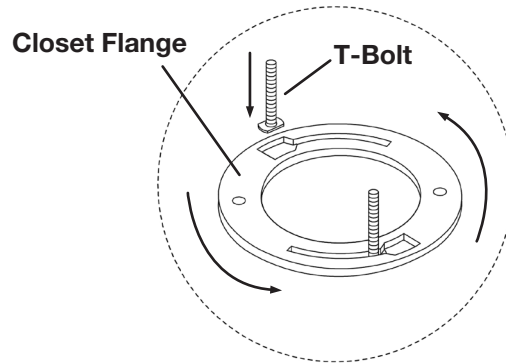
**\*\*NOTE:** Installation surface must be clean and level before new toilet is installed.\*\*

- Confirm that current supply location coincides with desired toilet location and rough-in dimensions. Supply relocation may be necessary for proper toilet installation.
- Position toilet template on finish floor making sure it aligns with current waste location; tape template securely to floor.

##### 2. Turn toilet on its side (please protect the ground surface with soft material to prevent damage to toilet), and press new wax seal firmly around waste flange. Apply a small bead of silicone sealant around toilet base.

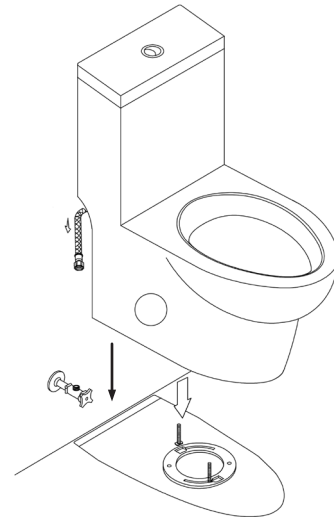


##### 3. Install T-bolts in correct floor position and fasten closet flange.

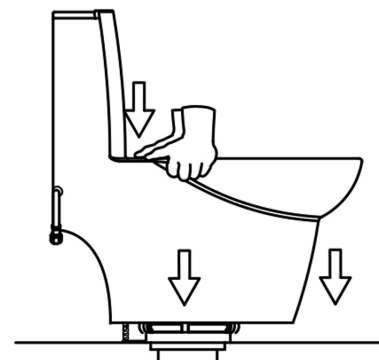


##### 4. Position toilet squarely with wall and align toilet with closet flange.

Slowly lower toilet down onto closet flange making sure base mounting holes are aligned with mounting anchors on finished floor.



##### 5. Press toilet down firmly on wax ring and flange until toilet is securely seated on floor.



# NESS

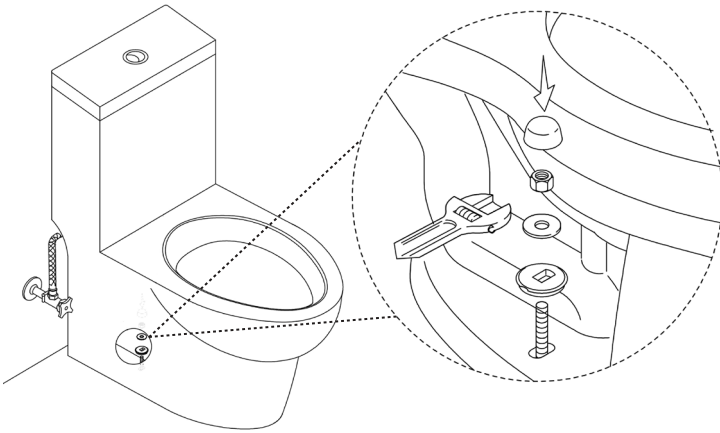
## NBMU-2062 ADA



### CONCEALED MOUNT WITH SIDE ACCESS INSTALLATION INSTRUCTIONS

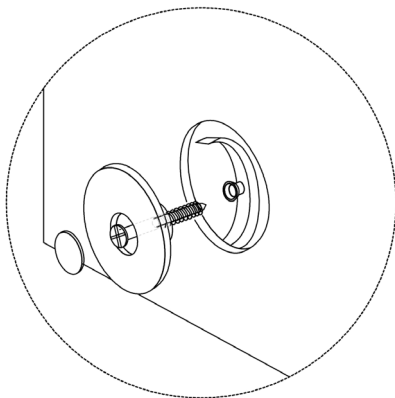
#### INSTALLATION INSTRUCTIONS

6. Place the bolt cap bases on the T-bolts and proceed to secure the toilet into place by fastening the washers and nuts to the bolt caps and T-bolts.



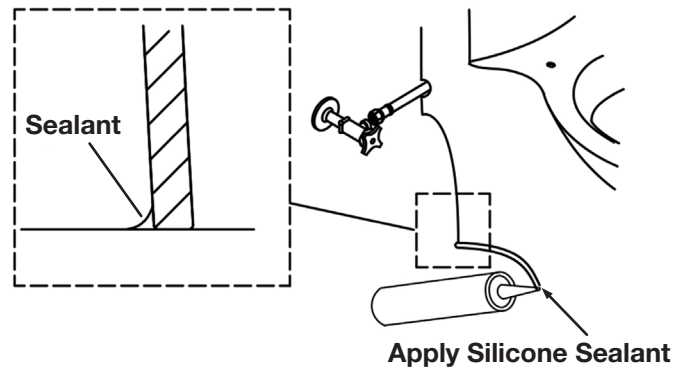
**\*\*NOTE:** Do not overtighten nuts. Porcelain is fragile and could possibly crack if nuts are overtightened.\*\*

7. Place access cover over access opening and fasten to the toilet.



8. Apply a small bead of silicone sealant where toilet base meets finish floor.

Wipe and clean any excess sealant immediately.



9. Connect water supply.

- Connect the shut-off valve to the supply pipe. Gradually open the valve and check for leaks.
- Flush several times to test for leaks and continue to do so periodically for the first few days of usage.



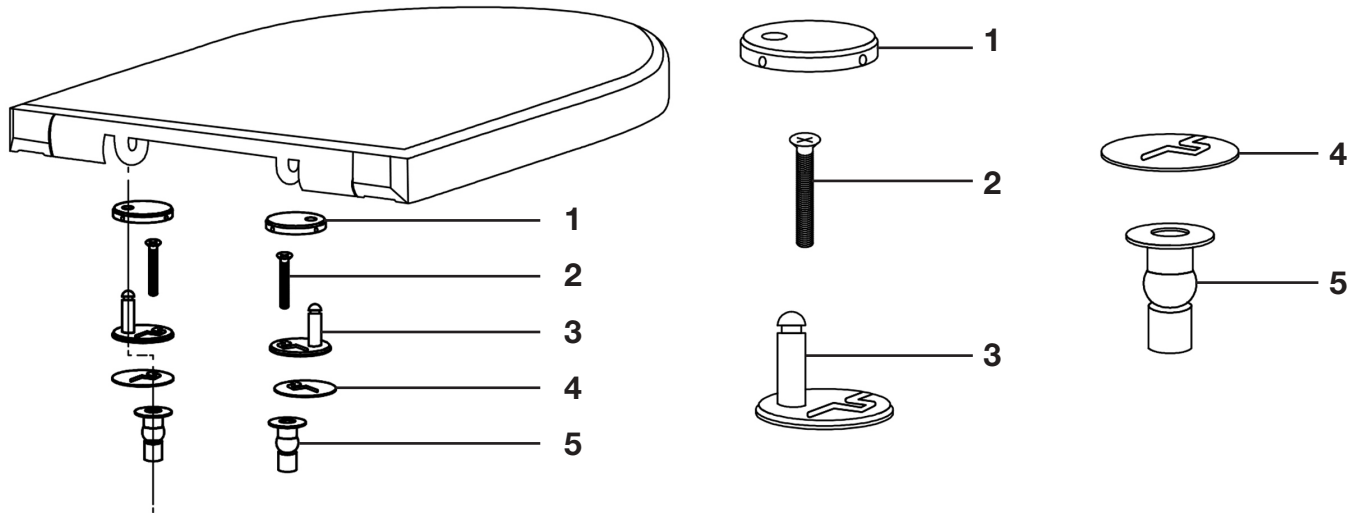
# NESS

## NBMU-2062 ADA

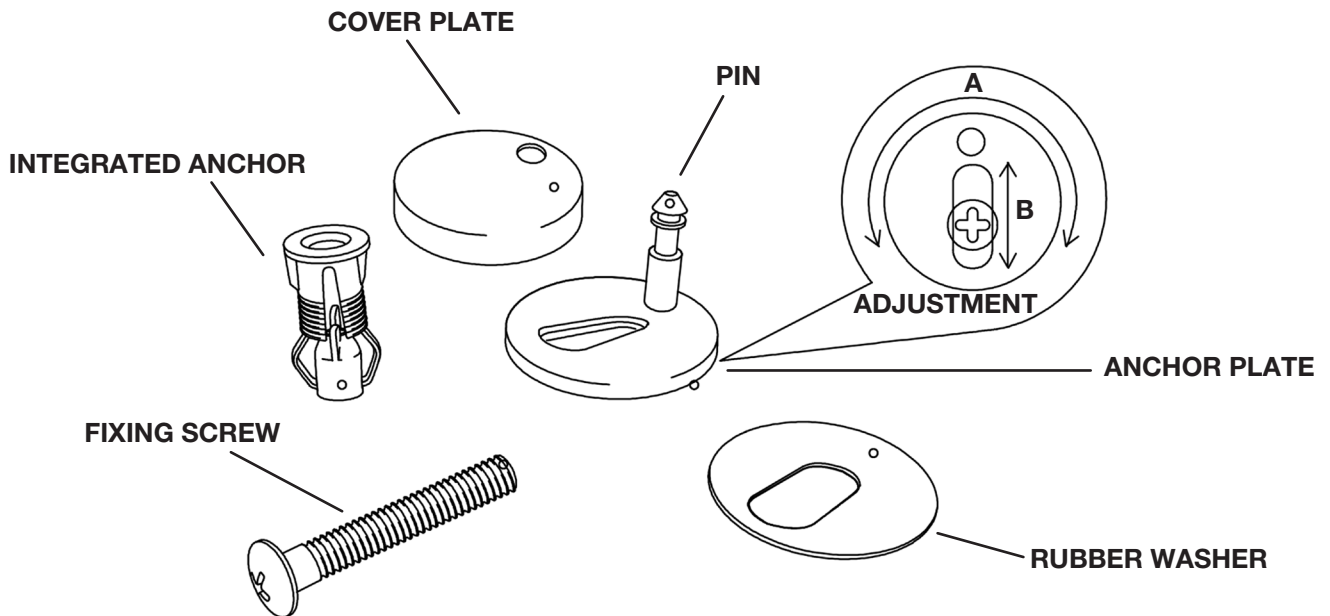


### TOILET SEAT INSTALLATION INSTRUCTIONS

#### PARTS AND ACCESSORIES



#### PIN POSITION AND HINGE ADJUSTMENT



- By rotating the anchor plate around the screw, maximum hinge adjustment is achievable. Please refer to the diagram above (Adjustment A).
- Additional adjustment and fine-tuning of the pin position can be accomplished by sliding the pin within the anchor plate (adjustment B).

# NESS

## NBMU-2062 ADA



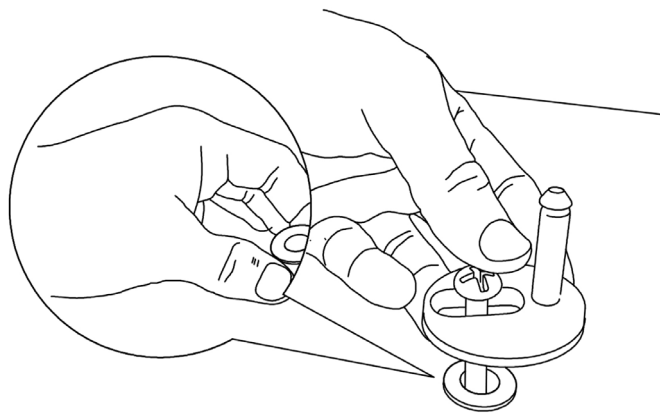
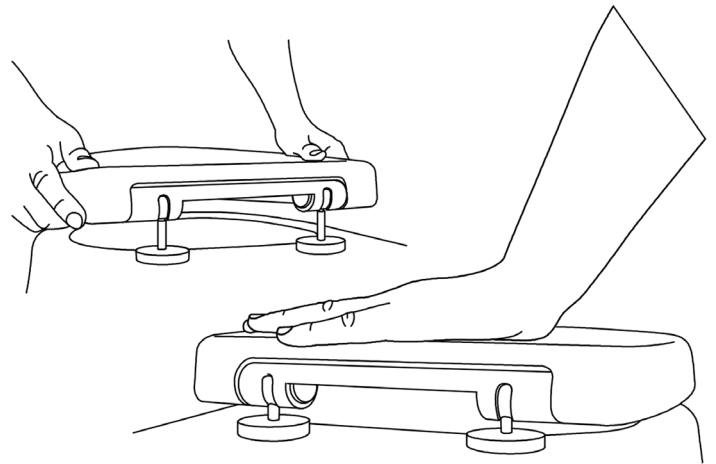
### TOILET SEAT INSTALLATION INSTRUCTIONS

#### INSTALLATION INSTRUCTIONS

##### Attaching the hinge anchor

- Place integrated anchor into anchor holes provided on the toilet pan.
- Place Anchor Plate over the integrated anchor and Insert screws.
- Tighten the screw and fasten anchor plate to the integrated anchor.

**\*\*NOTE:** Do not overtighten - Be sure screws are slightly loose to allow for final adjustments later in this process.\*\*

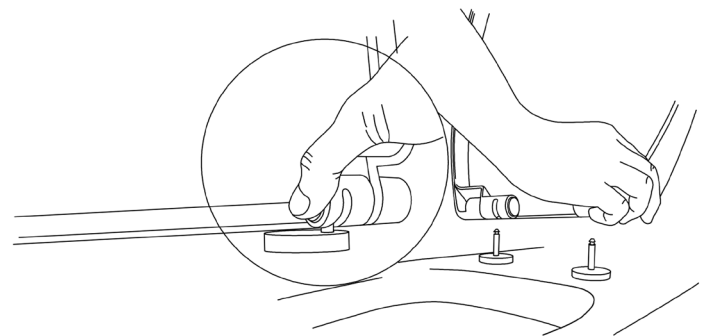


##### Removing the toilet seat with quick release technology

To remove the seat, place the seat in its open position, and locate the release-buttons in the center of each hinge. Press the release-buttons and lift the seat upwards. This should unlock the seat.

##### Installing the seat

- Align seat pins with the seat hinge sockets and apply downward pressure until you feel and hear a “click”. This “click” will signify the seat pin is locking into position. With care - adjust the hinge anchors and position the hinge anchors so the seat is aligned with the outer edges of the toilet pan.
- When the toilet seat has been aligned and is in the desired position, carefully unfasten the seat from the hinge anchors. Please refer to step 3 of the process to learn how to unfasten the seat. Be sure to unfasten the seat gently so the integrated anchors and pin positions don't move.
- Once toilet seat has been removed, proceed to firmly tighten screws and fasten anchor plate to the integrated anchor (please see step 1) so that toilet seat remains in its desired final position.



To re-install the seat. Align seat pins with the seat hinge sockets and apply downward pressure until you feel and hear a “click”. This “click” will signify the seat pin is locking into position.